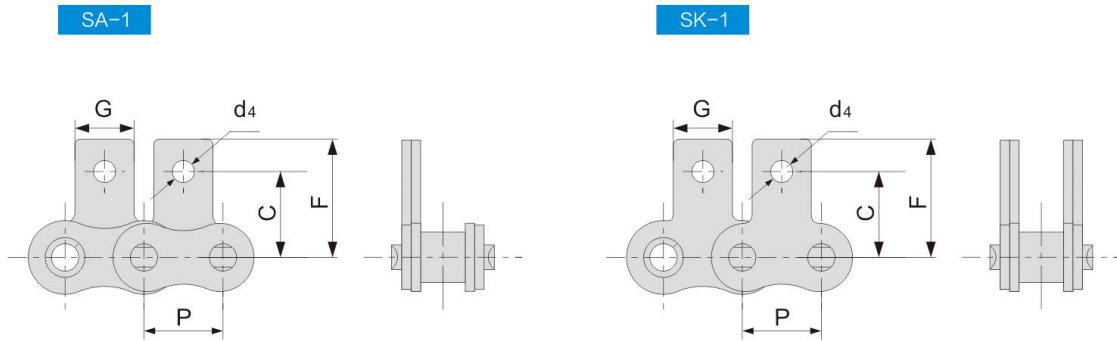


Short Pitch Roller Chain with Standard Attachment (General Type)

短节距带标准附板滚子链条 (普通型)



ISO/DIN Chain No. ISO/DIN链号	ANSI Chain No. ANSI链号	P (mm)	G (mm)	C (mm)	F (mm)	d4 (mm)
06C	35R	9.525	7.90	9.50	14.55	3.50
08A	40R	12.70	9.50	12.70	19.05	3.50
10A	50R	15.875	12.70	15.90	25.25	5.50
12A	60R	19.05	15.90	18.30	29.33	5.50
16A	80R	25.40	19.10	24.60	34.70	6.80
20A	100R	31.75	25.40	31.80	43.30	9.20
24A	120R	38.10	28.60	36.50	51.60	9.80
28A	140R	44.45	34.90	44.50	62.00	11.40
32A	160R	50.80	38.10	50.80	69.85	13.10
06B		9.525	8.00	9.52	13.50	3.50
08B		12.70	9.50	13.35	18.90	4.50
10B		15.875	14.30	16.50	22.95	5.30
12B		19.05	16.00	21.45	28.60	6.40
16B		25.40	19.10	23.15	34.00	6.40
20B		31.75	35.00	30.50	45.70	9.00



Roller Chain with Attachments